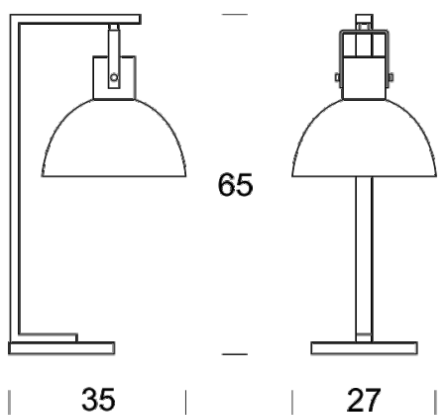




## STUDY LAMP KILONIA



27



### PRODUCT DESCRIPTION

The Kilonia series consists of elegant lamps with a simple, timeless form, which fit well in both modern and more classic interiors. The subdued design and refined proportions make the fixtures a subtle yet distinctive element of the interior design. This is practical lighting for home and commercial spaces — functional, aesthetic and easy to match to different interior styles.

### TECHNICAL DATA

Number of light sources	1
Voltage	230 V
Source of light	Recommended: 1 x E27
Optics	<b>S</b>
Light color	-
Protection class - selection	<b>I</b>
Degree of protection	IP20
CE	Yes
Mounting	On the table

### MATERIAL - FINISH - VARIANTS

Body material/lampshade	Metal	
Metal color		Black
		White
		Gold
	<b>RAL</b>	

### LOGISTICS

Packaging	a collective carton according to order individual carton
-----------	---

