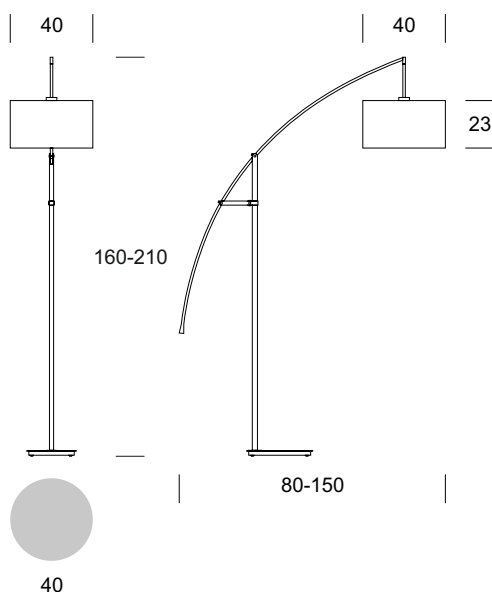




FLOOR LAMP AURA



Luminaire data

Recommended light sources

PRODUCT DESCRIPTION

The AURA series means elegant fittings that may be used in modern flats or hotel interiors. The metal body of AURA lamps is a combination of smooth parts in inox colour and slightly rough black metal and is mostly responsible for the unique design of AURA family products. The lamp may be regulated in left/right and up/down. Colour of shade can be different.

TECHNICAL DATA

Number of light sources	1
Voltage	230 V
Source of light	Recommended: 1x E-27
Optics	S
Light color	-
Protection class	I
Degree of protection	IP20
CE ∇ \oplus	Yes
Mounting	-

MATERIAL - FINISH - VARIANTS

Body material	Metal
Metal colour	 Inox  Black
Lampshade material	Synetic fabric / PVC
	 Ecru  Grey  Black  Dark red
Switching on	On cable

LOGISTICS

Packaging	a collective carton according to order individual carton
-----------	---

