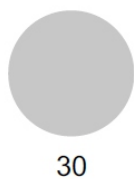
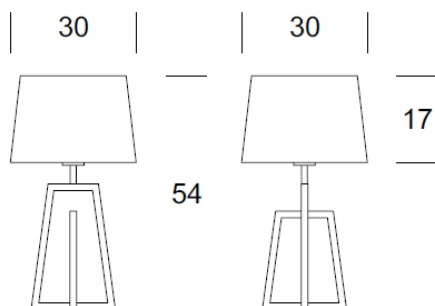




## STUDY LAMP CROSS



Luminaire data

Recommended light sources

### PRODUCT DESCRIPTION

The lamp from the CROSS series is the perfect fixture for an original apartment, and thanks to its spatial and geometric shape it can be used both in a modern and a traditional bedroom. Modern design, careful finishing, fine materials and low weight will satisfy the most demanding customers.

### TECHNICAL DATA

Number of light sources	1
Voltage	230 V
Source of light	Recommended: 1x E-27
Optics	<b>S</b>
Light color	-
Protection class	<b>I</b>
Degree of protection	IP20
CE	Yes
Mounting	-

### MATERIAL - FINISH - VARIANTS

Body material	Metal
Metal colour	Inox Chrome RAL
Lampshade material	Synetic fabric / PVC
	Ecru Gray Black
Switching on	On cable

### LOGISTICS

Packaging	a collective carton according to order individual carton
-----------	---

