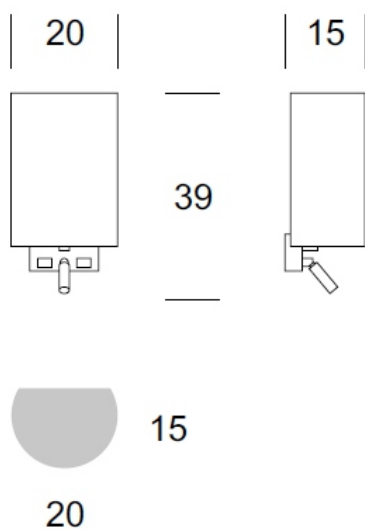




**ELMARCO**  
GOOD FORM FOR LIGHTING

ELMARCO Technika Świetlna Sp. z o.o. Sp. K.  
Ul. Krzemowa 7, 81-577 Gdynia,  
tel. (58) 552 84 27

## SCONCE HIKARI M



Luminaire data

Recommended light sources

### TECHNICAL DATA

|                              |   |
|------------------------------|---|
| Number of light sources      | 2   |
| Voltage                      | 230 V                                       |
| Source of light              | Recommended: 1x E-27 + 1x 1,2 W LED (incl.) |
| Optics                       | <b>S</b>                                    |
| Light color                  | -   |
| Protection class - selection | <b>I</b>                                    |
| Degree of protection         | IP20  |
| CE                           | Yes   |
| Mounting                     | On the wall                                 |

### MATERIAL - FINISH - VARIANTS

|                    |                      |
|--------------------|----------------------|
| Body material      | Metal                |
| Metal colour       | White<br>Black       |
| Lampshade material | Synetic fabric / PVC |
|                    | Ecru<br>White        |
| Switching on       | Switch in the wall   |

### LOGISTICS

|           |   |
|-----------|---|
| Packaging | a collective carton according to order<br>individual carton |
| Weight    | max. 1 kg   |

