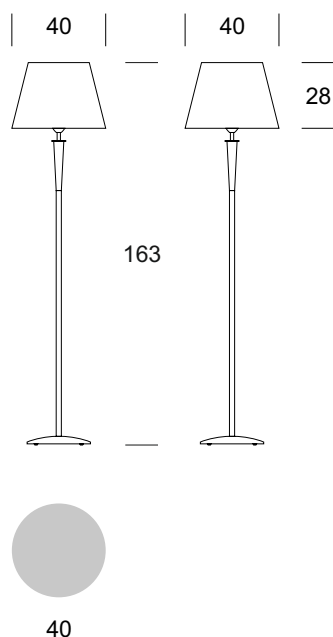




FLOOR LAMP LORD



PRODUCT DESCRIPTION

Elegant and functional lamp in the classical style, suitable both into the private flat and into hotel interiors. The textile lampshade is decorated with the delicate tape in the appropriate colour of metal. The metal body with the wooden element is available in a few colour versions.

TECHNICAL DATA

Number of light sources	1
Voltage	230 V
Source of light	Recommended: 1x E-27
Optics	S
Light color	-
Protection class - selection	I
Degree of protection	IP20
CE ∇ \oplus	Yes
Mounting	-

MATERIAL - FINISH - VARIANTS

Body material	Metal/wood	
Metal colour		Inox
		Patina
Wood colour		Brass
		Honey
		Brown
Lampshade material	Synetic fabric / PVC	
		Ecru

Switching on	Switch in the wall
--------------	--------------------

