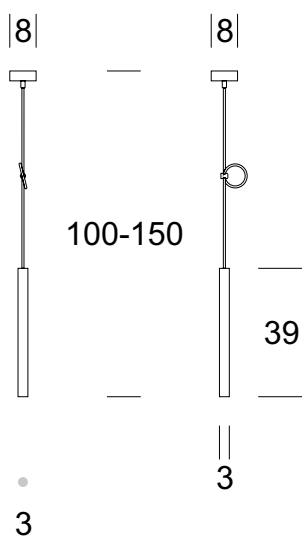




## PENDANT LAMP PAR MINI



### PRODUCT DESCRIPTION

Par lamps are minimalist and elegant in design. This light and simple form allows for the right accents in the space.

### TECHNICAL DATA

Number of light sources	1
Voltage	230 V
Source of light	Recommended: 1x 1,2 W LED
Optics	<b>S</b>
Light color	-
Protection class - selection	<b>I</b>
Degree of protection	IP20
CE $\nabla$ $\oplus$	Yes
Mounting	On the ceiling

### MATERIAL - FINISH - VARIANTS

Body material	Metal
Metal colour	<div style="display: flex; gap: 10px;"> <div style="width: 20px; height: 15px; background-color: black; border: 1px solid black;"></div> Black         <div style="width: 20px; height: 15px; background-color: white; border: 1px solid black;"></div> White         <div style="width: 20px; height: 15px; background-color: gold; border: 1px solid black;"></div> Gold       </div>

Switching on	Switch in the wall
--------------	--------------------

### LOGISTICS

Packaging	a collective carton according to order individual carton
Weight	max. 1 kg

