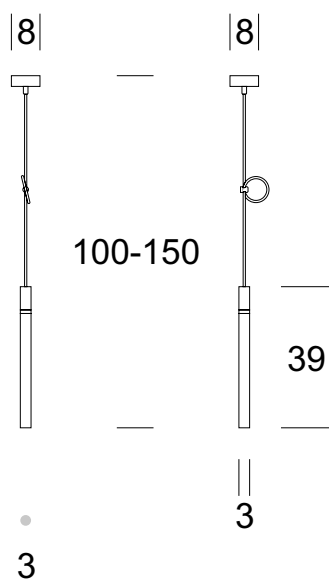




## PENDANT LAMP PAR LUX MINI DEC



Luminaire data

Recommended light sources


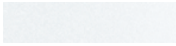


### PRODUCT DESCRIPTION

Par Lux lamps are minimalist and elegant in design. This light and simple form allows for the right accents in the space. The lamps can be fitted with the Perfect Light SNAP System to create the colour and shape of the light output (Ra > 95%).

### TECHNICAL DATA

Number of light sources	1
Voltage	230 V
Source of light	Recommended: 1x 1,2 W LED
Optics	<b>S</b>
Light color	-
Protection class - selection	<b>I</b>
Degree of protection	IP20
CE $\nabla$ $\oplus$	Yes
Mounting	On the ceiling

### MATERIAL - FINISH - VARIANTS

Body material	Metal/ wood
Metal colour	 <b>Black</b>  <b>White</b>
Wood colour	 <b>Brass</b>  <b>Natural</b>
Switching on	Switch in the wall

### LOGISTICS

Packaging	a collective carton according to order individual carton
Weight	max. 1 kg

