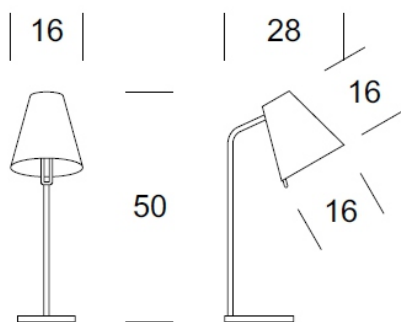




STUDY LAMP SCANDIC A



16



Luminaire data

Recommended light sources



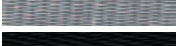
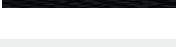
PRODUCT DESCRIPTION

The SCANDIC lamp series complements the lighting of the hall, bedroom and living room. Lamps are easy to assemble and functional. They are a good solution for small rooms.

TECHNICAL DATA

Number of light sources	1
Voltage	230 V
Source of light	Recommended: 1x E-27
Optics	S
Light color	-
Protection class - selection	I
Degree of protection	IP20
CE ∇ \oplus	Yes
Mounting	-

MATERIAL - FINISH - VARIANTS

Body material	Metal
Metal color	 Black
Lampshade material	Synetic fabric / PVC
	 Ecrú
	 Grey
	 Black
Switching on	On cable

LOGISTICS

Packaging	a collective carton according to order individual carton
Weight	max. 3 kg

