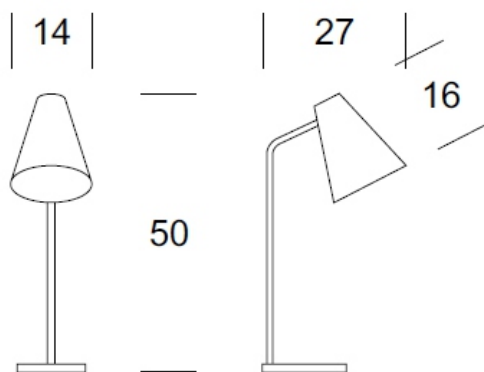
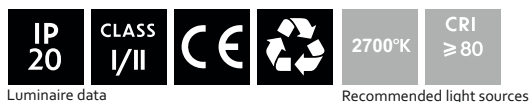




STUDY LAMP SCANDIC



14



PRODUCT DESCRIPTION

The SCANDIC lamp series complements the lighting of the hall, bedroom and living room. Lamps are easy to assemble and functional. They are a good solution for small rooms.

TECHNICAL DATA

Number of light sources	1
Voltage	230 V
Source of light	Recommended: 1x E-27
Optics	S
Light color	-
Protection class - selection	I
Degree of protection	IP20
CE	Yes
Mounting	-

MATERIAL - FINISH - VARIANTS

Body material	Metal
Metal color	RAL*
Lampshade material	Metal
	RAL*
Switching on	On cable

LOGISTICS

Packaging	a collective carton according to order individual carton
Weight	max. 3 kg

