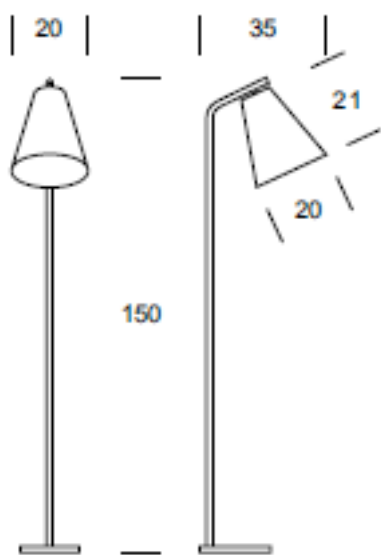




## FLOOR LAMP SCANDIC



Luminaire data

Recommended light sources

### PRODUCT DESCRIPTION

The SCANDIC lamp series complements the lighting of the hall, bedroom and living room. Lamps are easy to assemble and functional. They are a good solution for small rooms.

### TECHNICAL DATA

Number of light sources	1
Voltage	230 V
Source of light	Recommended: 1x E-27
Optics	<b>S</b>
Light color	-
Protection class - selection	<b>I</b>
Degree of protection	IP20
CE $\nabla$ $\oplus$	Yes
Mounting	-

### MATERIAL - FINISH - VARIANTS

Body material	Metal
Metal color	<input type="text"/> RAL
Lampshade material	Metal
	<input type="text"/> RAL
Switching on	On cable

### LOGISTICS

Packaging	a collective carton according to order individual carton
Weight	max. 2 kg

