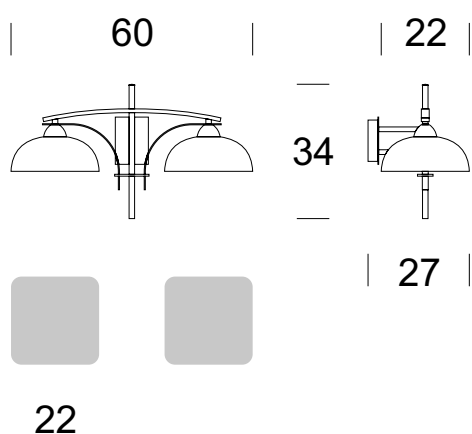




## SCONCE TORONTO 2





### PRODUCT DESCRIPTION

Family TORONTO is classics combining features of the simplicity with rustic character. It fit very well with into residential or hotel interiors.

### TECHNICAL DATA

Number of light sources	2
Voltage	230 V
Source of light	Recommended: 2 x E27
Optics	<b>S</b>
Light color	-
Protection class - selection	<b>I</b>
Degree of protection	IP20
CE $\nabla$ $\oplus$	Yes
Mounting	On the wall

### MATERIAL - FINISH - VARIANTS

Body material	Metal
Metal colour	 Patina
Lampshade material	Glass
	 White (frost)
Switching on	Switch in the wall

### LOGISTICS

Packaging	a collective carton according to order individual carton
Weight	max. 1 kg

