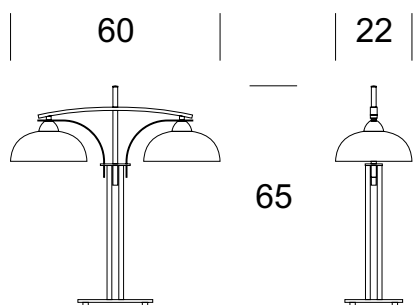




STUDY LAMP TORONTO



22





PRODUCT DESCRIPTION

Family TORONTO is classics combining features of the simplicity with rustic character. It fit very well with into residential or hotel interiors.

TECHNICAL DATA

Number of light sources	2
Voltage	230 V
Source of light	Recommended: 2 x E27
Optics	S
Light color	-
Protection class - selection	I
Degree of protection	IP20
CE ∇ \oplus	Yes
Mounting	-

MATERIAL - FINISH - VARIANTS

Body material	Metal
Metal colour	 Patina
Lampshade material	Glass
	 White (frost)
Switching on	On cable

LOGISTICS

Packaging	a collective carton according to order individual carton
Weight	max. 3 kg

