

**UK**

## INSTALLATION GUIDE

1. Place the foundation (F) down on a gravel bedding so that the installation plane is slightly **above ground level**.
2. Draw the electrical cable beyond the foundation leaving the appropriate reserve for connection.
3. Cover the foundation with soil, tamping down each layer firmly.
4. Connect the fixture cable with the boom (lantern) cable using a connector. Power and grounding cables in accordance with markings.
5. Once connected, insert the connector into the fixture mounting bracket.
6. Place the fixture on the top of the pole or boom (in the case of „AS” optics, position the fixture so that the arrow points towards the illuminated surface).
7. Firmly tighten the tightening screws.
8. Place the pole base on the foundation bolts and screw in the M-14 mounting nuts tightening them firmly.
9. Connect the electrical cables to the connecting board and the grounding wire according to markings.  
  
yellow/green - earth,  
blue - lead (neutral),  
brown/black - live,
10. After connecting, insert the connecting board into the column and attach it to the pole.
11. If it is necessary to replace the fixture power supply, unscrew the screws securing the upper cover to gain access to the equipment compartment.

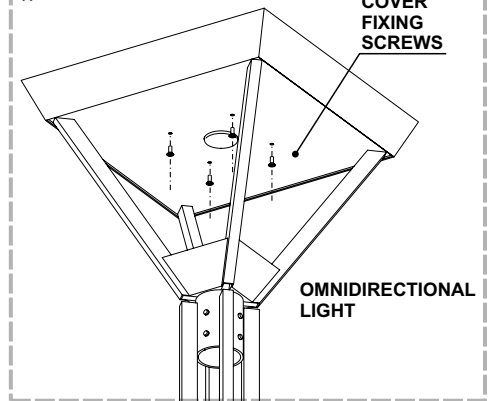
## IMPORTANT

1. Switch off the electric energy before installing the fixture.
2. Install according to the manufacturer's guidelines. If in doubt consult a qualified electrician.
3. The product can be connected to a network which meets the energy quality standards defined by the law.

## INSTRUCTIONS FOR USE

1. This fixture is to be used only according to its purpose.
2. Follow the above instructions for the installation.
3. The manufacturer will not accept liability for injury or any damage resulting from incorrect installation or use of this product.
4. Do not use light source other than indicated on the product. Do not exceed the maximum power indicated.

## „S” OPTICS



## „AS” OPTICS

